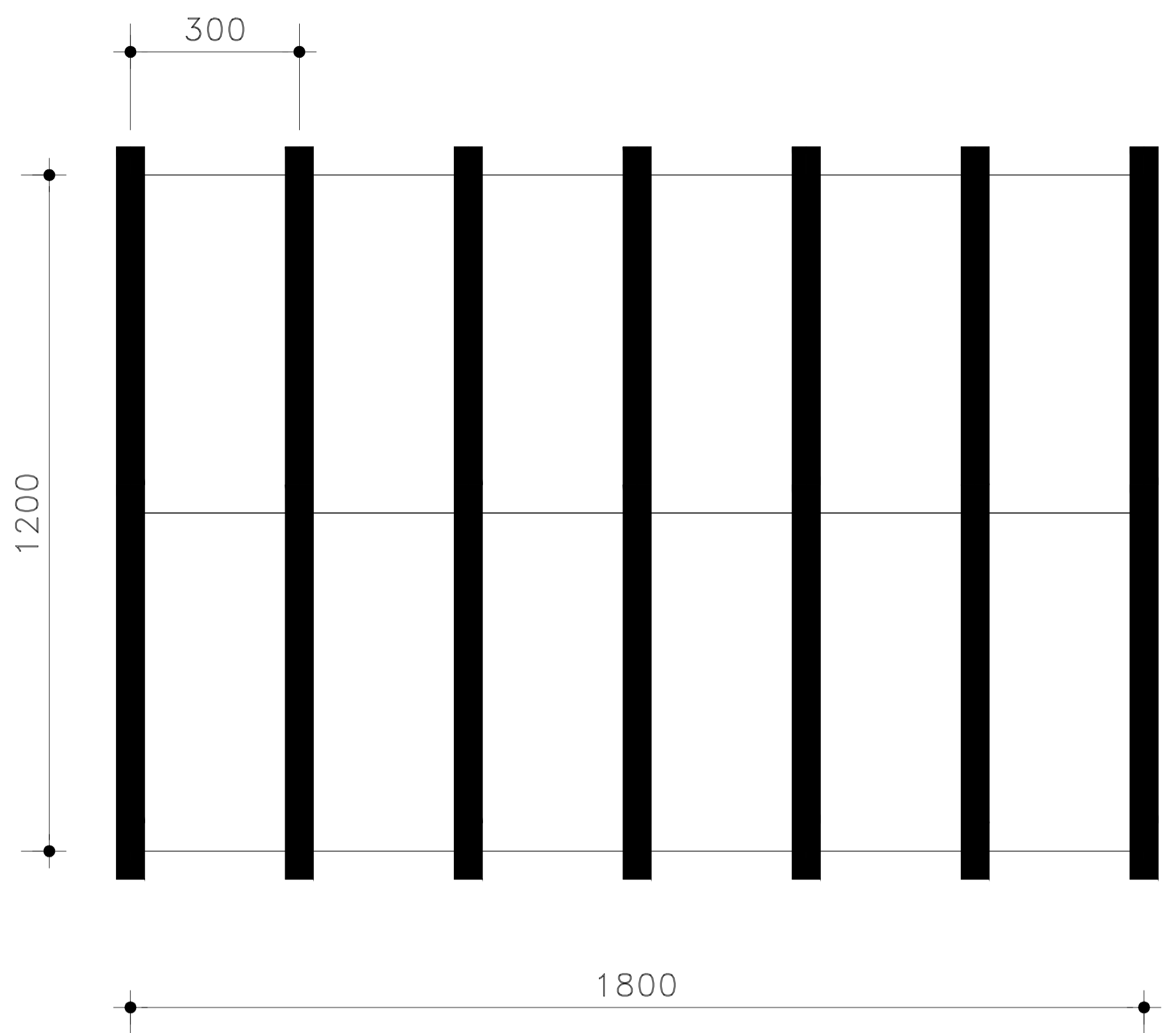
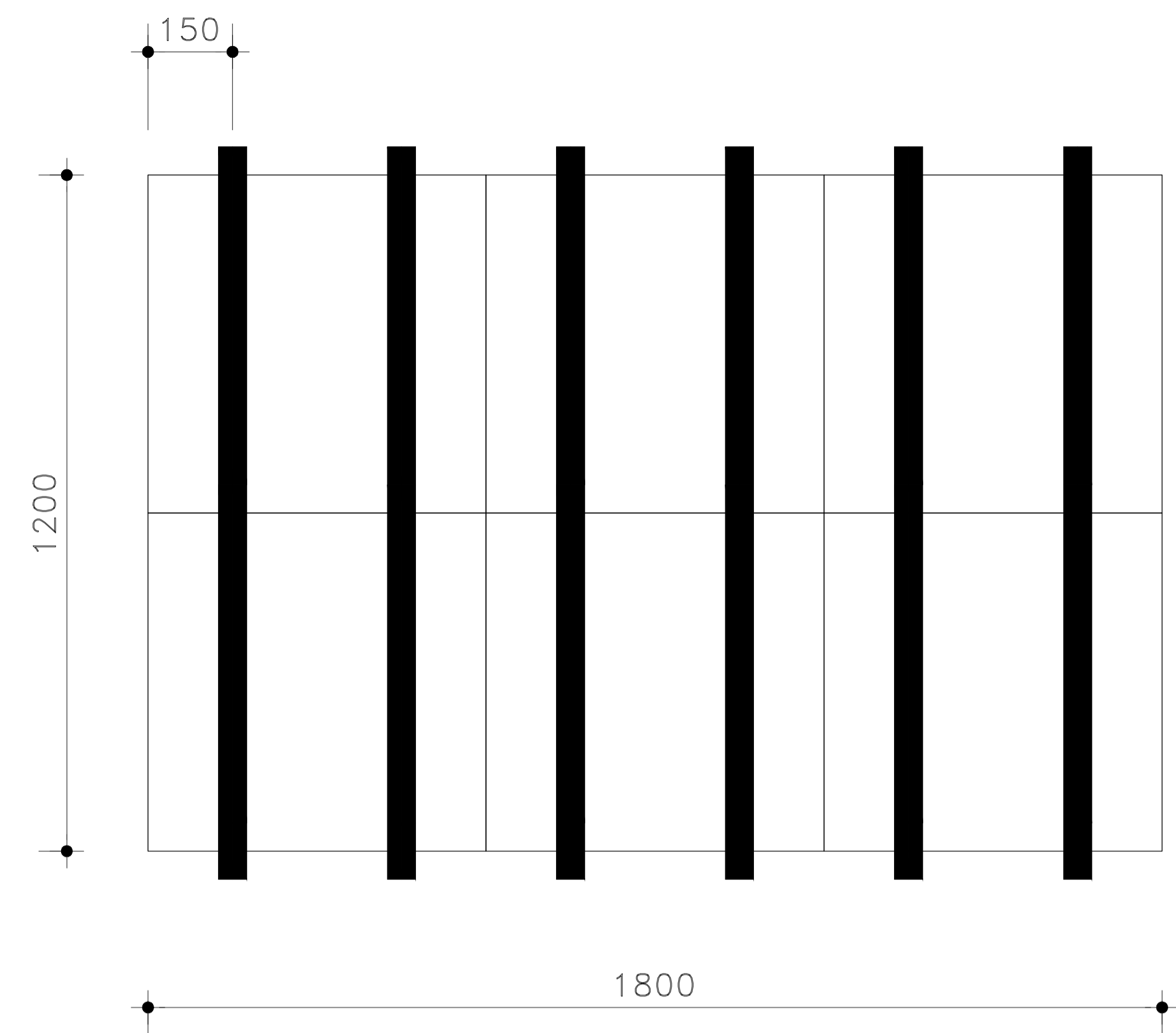


A



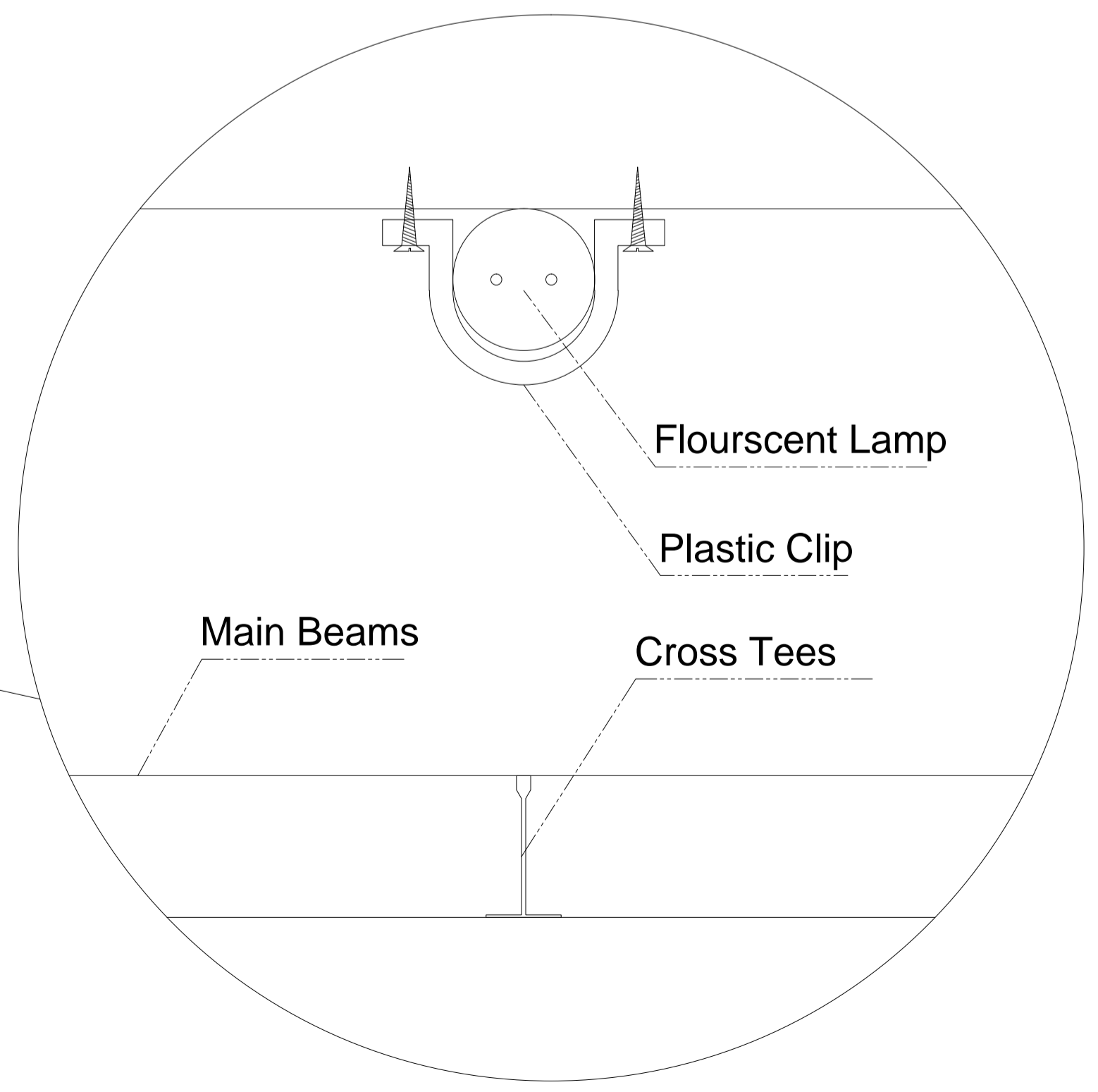
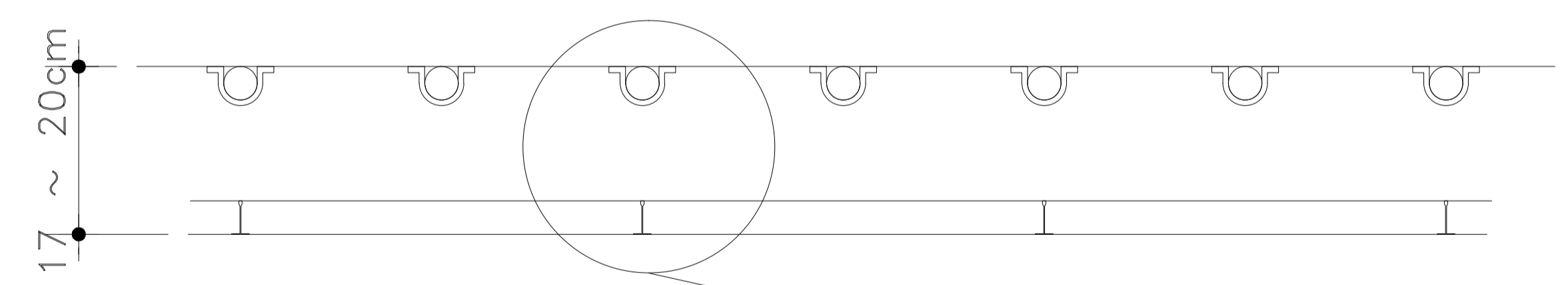
Plan (without wall around) 1-20



Plan (with wall around) 1-20

B

B



C

C

NOTE:
 1-ALL LEVELS ARE SHOWN IN METERS.
 2-OTHER DIMENSIONS ARE IN MILLIMETERS
 UNLESS OTHERWISE STATED.
 ±0.00=±0.00

APPROVED	CHECKED	DESCRIPTION	REV.

Skyling
 Blue Sky In Your Home

Drawn by :	Client:	SCALE
Superv. by :	Dep.	1:750
Apprv. by :	Sub.	UNIT
First Issued To Client :	Flourscent Lighting Arrangement	M.M.
DWG. NO.		Rev. -