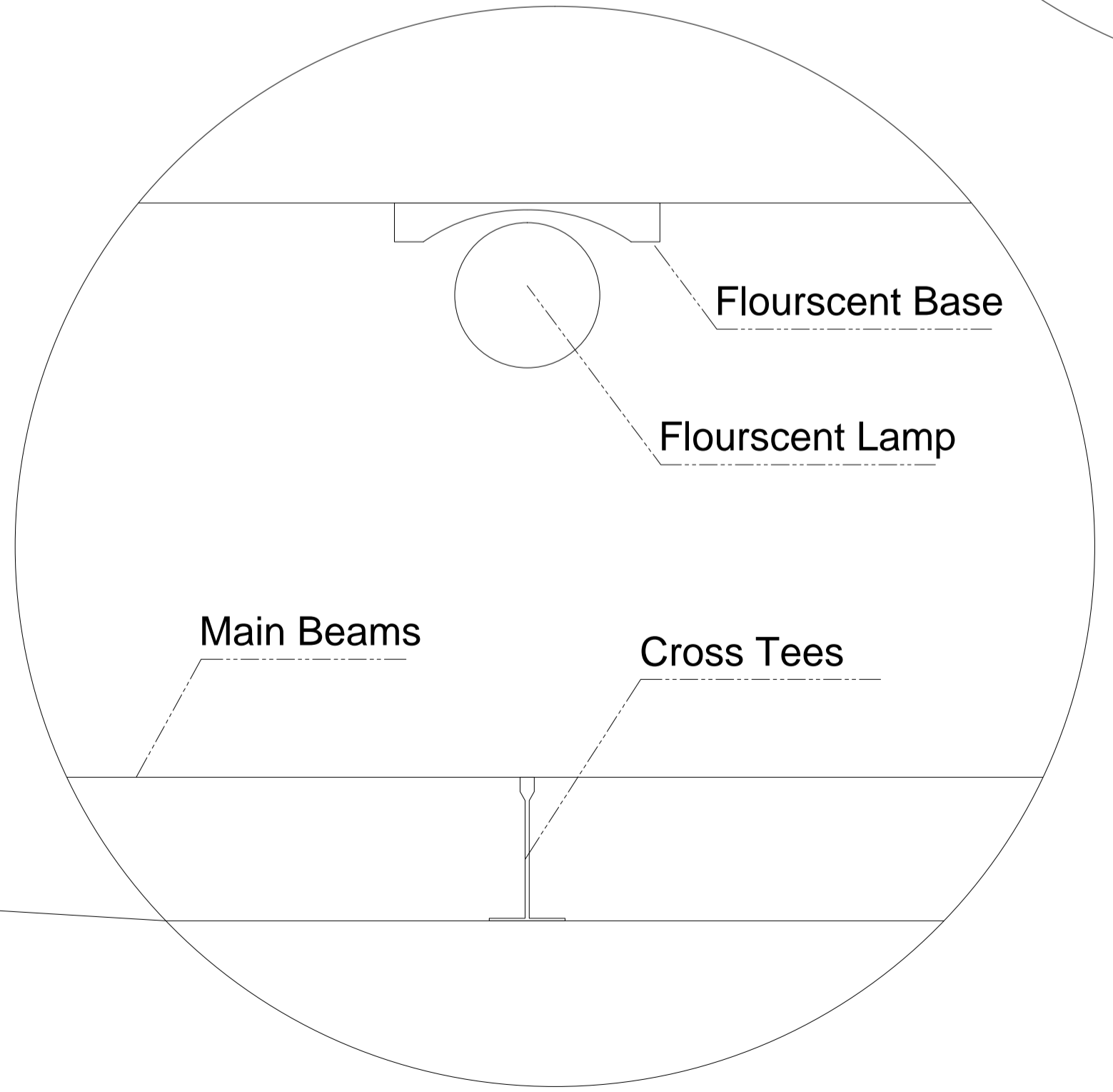
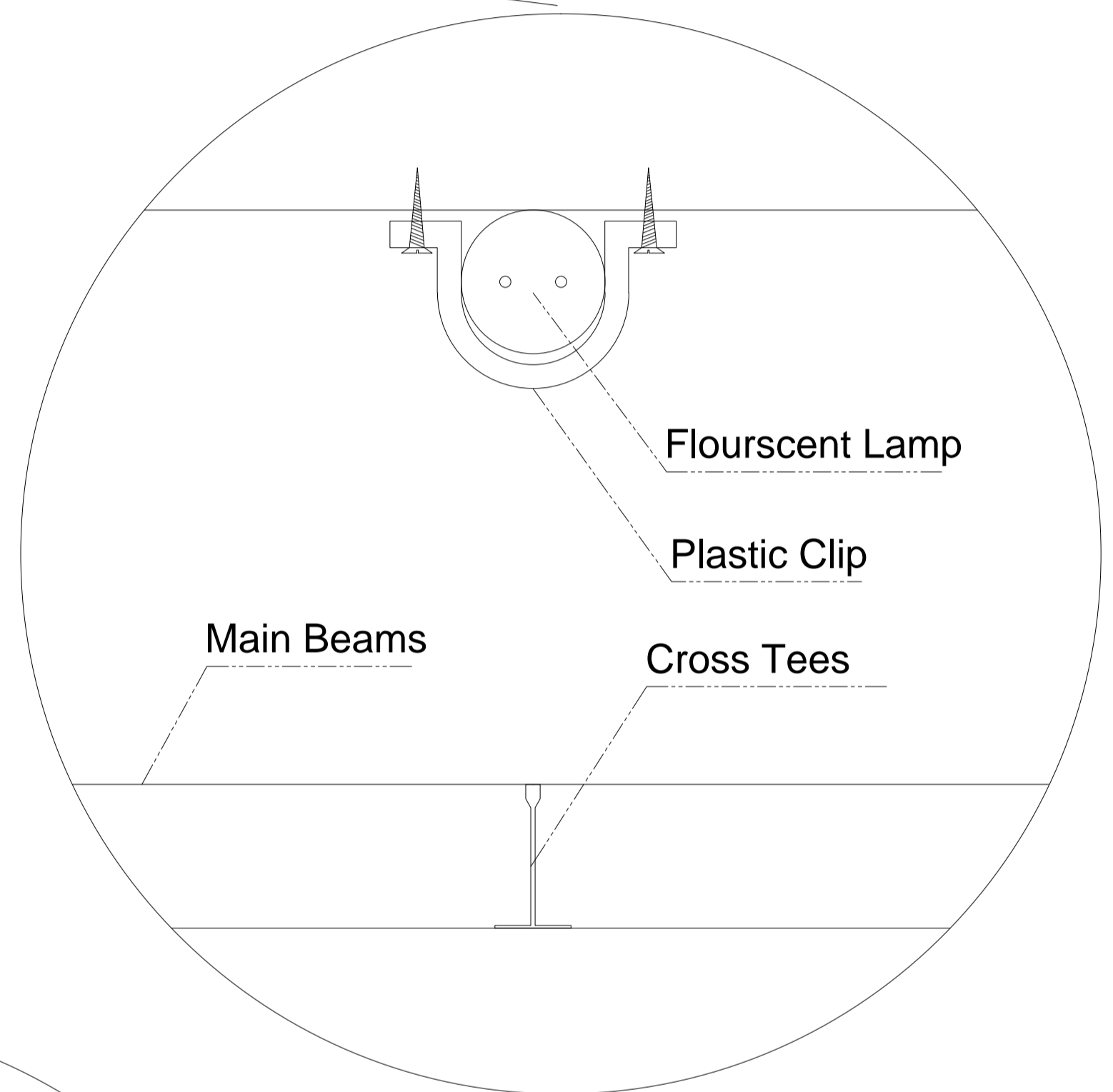
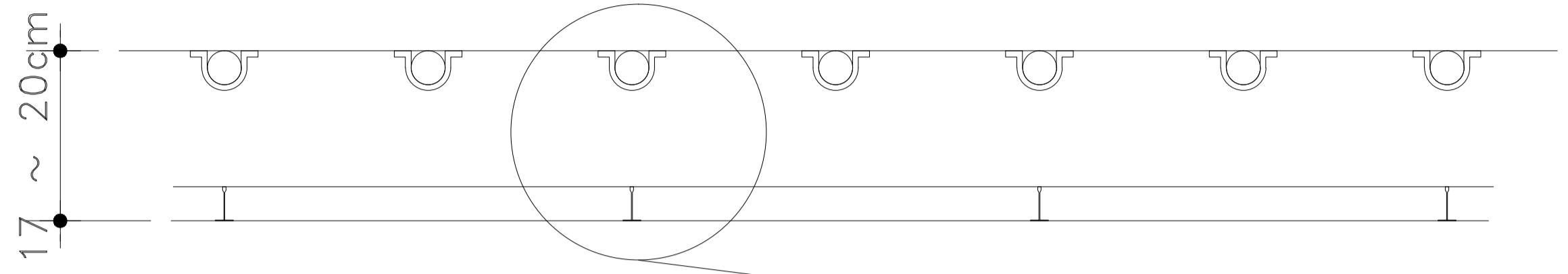
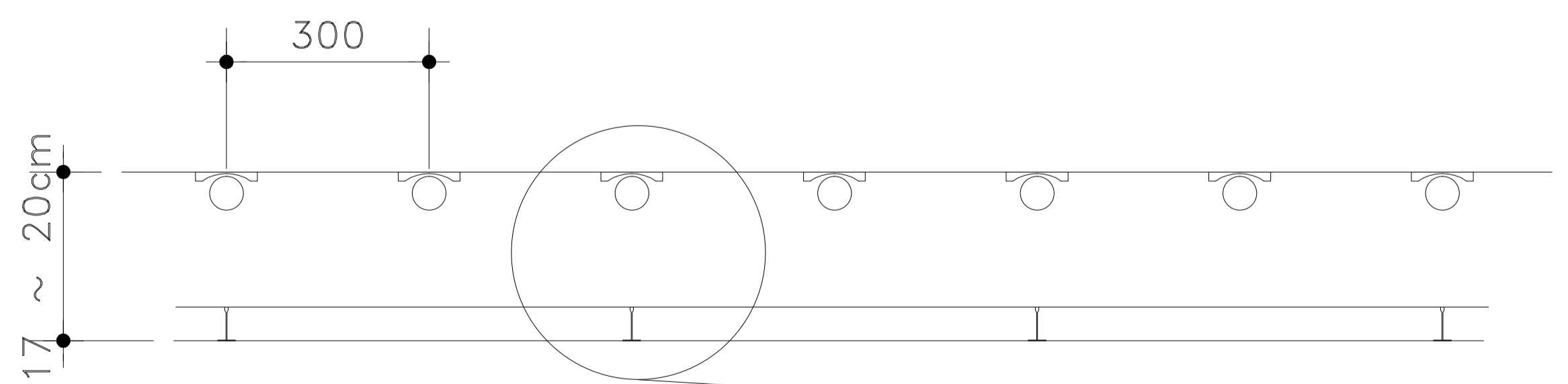


Plan (without wall around) 1-20



NOTE:
 1-ALL LEVELS ARE SHOWN IN METERS.
 2-OTHER DIMENSIONS ARE IN MILLIMETERS
 UNLESS OTHERWISE STATED.

±0.00=+57.40

NO.	DATE	DESCRIPTION	REV.

APPROVED	CHECKED	DESCRIPTION	REV.

Skyling Blue Sky In Your Home

Drawn by :	Client:
Superv. by :	Dep. CABLE CHANNEL
Apprv. by :	Sub. GENERAL ARRANGEMENT (FORMWORK)
First Issued To Client :	DWG. NO. UNIT M.M. Rev. -